



Ab777

Ab 123

RESILIENT SEATED GATE VALVE

FAF 6000

PRODUCT CATALOGUE
DATA SHEET

Ab 127

theartof *flow*

Ab 127



www.fafvalve.com

RESILIENT SEATED GATE VALVE
FAF 6000


PRODUCTION STANDARDS	
DESIGN	EN 1171 / EN 1074
CONNECTION	EN 1092-2 (FLANGED)
FACE TO FACE DIMENSION	EN 558 SERIES 14 (6000 SERIES) F4 EN 558 SERIES 15 (6200 SERIES) F5
MARKING	EN 19
PRESSURE CLASS	PN 10 / PN 16 / PN 25
TEMPERATURE	+130°C
TEST	EN 12266-1
COATING	ELECTROSTATIC POWDER EPOXY (PBE)

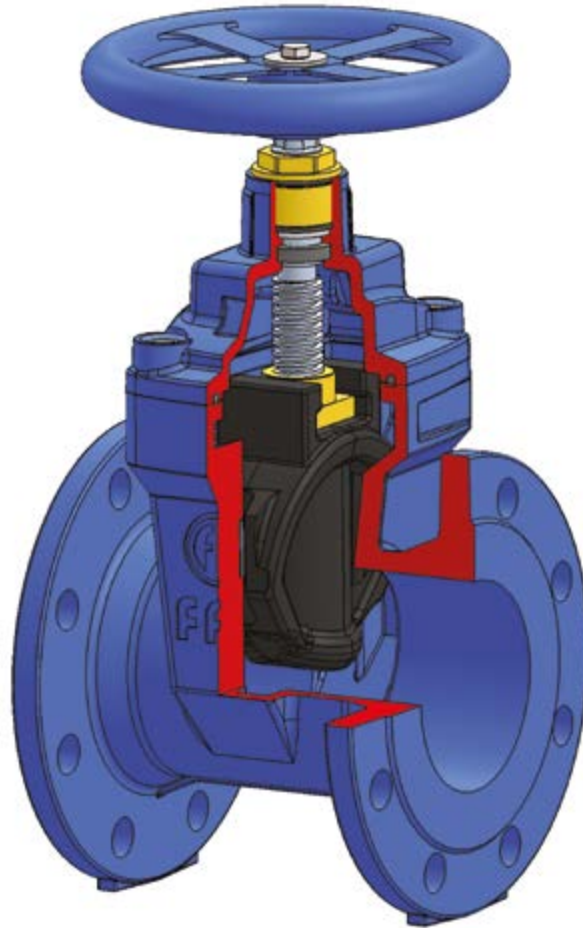
VALVE TEST PRESSURE (Bar)		
MAX. OPERATING PRESSURE	BODY / SHELL TEST	SEAT TEST
10	15	11
16	24	17,6

DN (mm)	6000		6200	
	PN 10	PN 16	PN 10	PN 16
40	●	●		
50	●	●	●	●
65	●	●	●	●
80	●	●	●	●
100	●	●	●	●
125	●	●	●	●
150	●	●	●	●
200	●	●	●	●
250	●	●	●	●
300	●	●	●	●
350	●	●	●	●
400	●	●	●	●
500	●	●	●	●
600	●	●	●	●
700	●	●		
800	●	●		
900	●	●		
1000	●	●		
1100	●	●		
1200	●	●		

RESILIENT SEATED GATE VALVE

FAF 6000

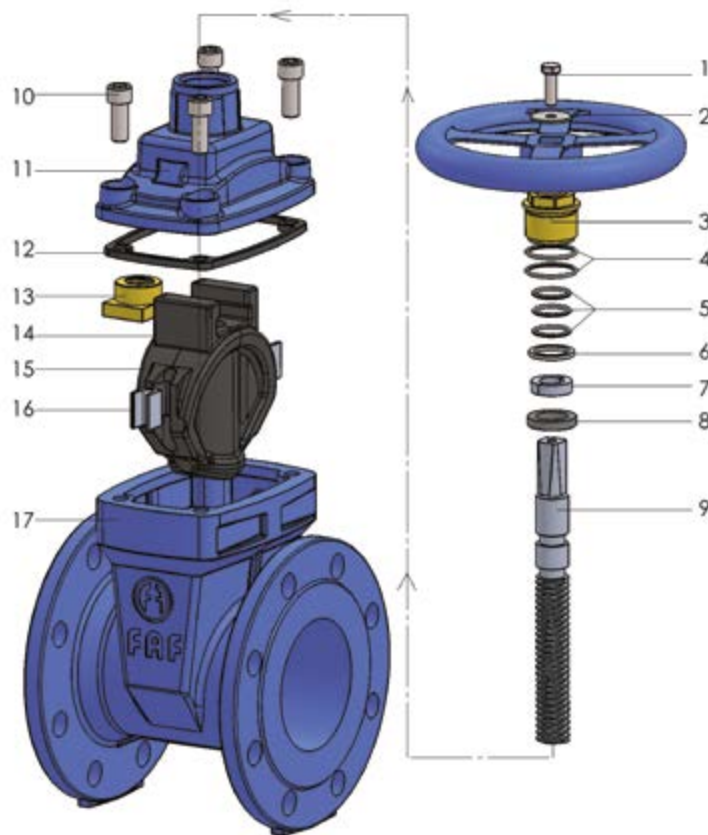
Specification of Gate valves



- The body and bonnet are manufactured from ductile iron castings. It is resistant to high tensile stress occurring in pipelines. Impact resistance is high.
- Stainless steel stem
- Inner and outer surfaces are coated with minimum 250 microns fusion bonded epoxy. WRAS coating is available.
- Can be operated by actuator or gearbox
- Suitable to use with aboveground and underground applications. Can be operated with extension spindle.
- The top of the shaft bearing and shaft nuts are made of MS58 brass. High precision machining enables low operation torques.
- All casting surfaces are coated with epoxy powder coating against corrosion.
- Pressure loss is very low maintenance type are produced.
- Full bore characteristics without disruption of flow results in low pressure drops across the valve.
- Maintenance free design

FAF 6000

Material List



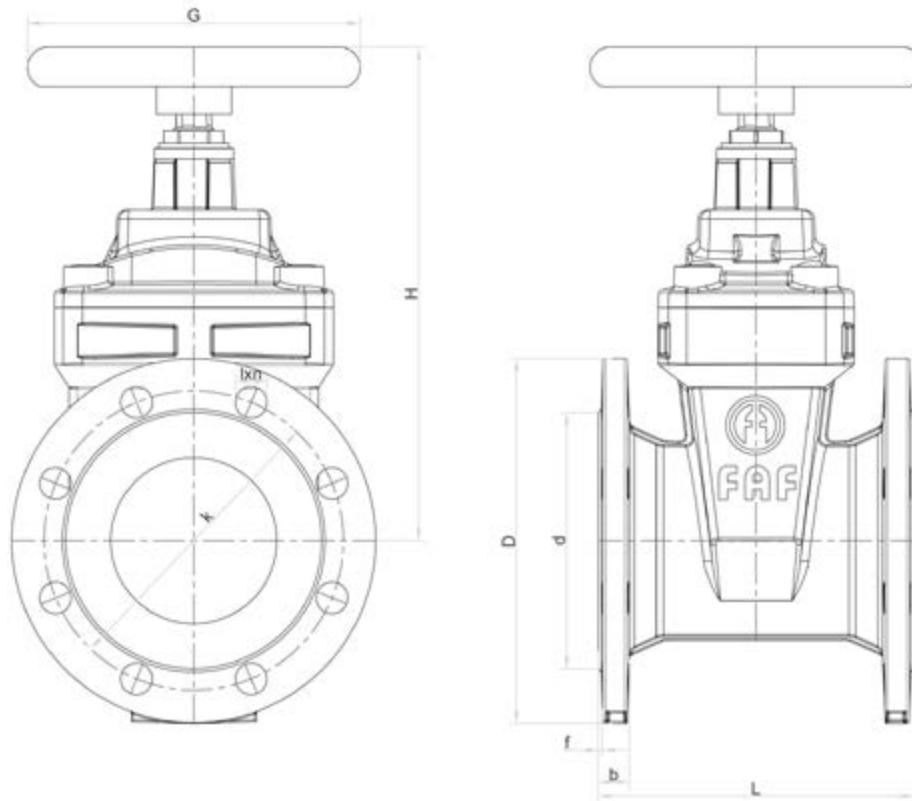
ITEM NO	ITEM	MATERIALS
1	BOLT	DIN 933
2	WASHER	STEEL
3	SHAFT NUT	CuZn40Pb2
4	O-RING	NBR/EPDM
5	O-RING	NBR/EPDM
6	WASHER	PTFE
7	WASHER	STEEL
8	NUTRING	EPDM
9	DRIVE SHAFT	STAINLESS STEEL

ITEM NO	ITEM	MATERIALS
10	IMBUS BOLT	DIN 912
11	COVER	EN GJS 500 DUCTILE
12	COVER GASKET	EPDM
13	SLIDE NUT	CuZn40Pb2
14	WEDGE TOP	EPDM
15	WEDGE	EN GJS 500 DUCTILE
16	WEDGE GUIDE	POLYMER
17	BODY	EN GJS 500 DUCTILE

Gate Valves in Kv Values													
DN (mm)	40	50	65	80	100	125	150	200	250	300	400	500	600
Kv (m ³ /h)	140	220	370	560	880	1380	2300	4090	6390	9200	16350	25560	37000

FAF 6000

Technical Details



DN (mm)	PN	D	L		H		f	b	G	d	k	Ølxn	WEIGHT (kg)	
			F4	F5	F4	F5							F4	F5
40	10/16	150	140	240	210	210	3	19	160	84	110	4XØ19	8,5	10,5
50	10/16	165	150	250	230	225	3	19	160	99	125	4XØ19	9	12
65	10/16	185	170	270	265	255	3	19	180	118	145	4XØ19	11,9	15
80	10/16	200	180	280	285	290	3	19	200	132	160	8XØ19	14,5	20
100	10/16	220	190	300	325	330	3	19	200	156	180	8XØ19	18,9	26
125	10/16	250	200	325	350	380	3	19	250	184	210	8XØ19	24,1	39
150	10/16	285	210	350	390	415	3	19	250	211	240	8XØ23	31,7	57
200	10	340	230	400	500	480	4	20	320	266	295	8XØ23	47,3	90
	16	340	230	400	500	480	4	20	320	266	295	12XØ23	47,3	90
250	10	400	250	450	595	555	4	22	350	319	350	12XØ23	83,7	125
	16	400	250	450	595	555	4	22	350	319	355	12XØ28	83,7	125
300	10	455	270	500	675	650	4	24.5	350	370	400	12XØ23	110	135
	16	455	270	500	675	650	4	24.5	350	370	410	12XØ28	110	135
350	10	505	290	550	785	775	4	24.5	450	429	460	16XØ23	190	200
	16	520	290	550	785	775	4	26.5	450	429	470	16XØ28	190	200
400	10	565	310	600	900	850	4	24.5	500	480	515	16XØ28	222	350
	16	580	310	600	900	850	4	28	500	480	525	16XØ31	222	350
500	10	670	350	700	1000	1000	4	26.5	600	582	620	20XØ28	500	470
	16	715	350	700	1000	1000	4	31.5	600	609	650	20XØ34	500	470
600	10	780	390	800	1200	1200	5	30	600	682	725	20XØ31	1215	630
	16	840	390	800	1200	1200	5	36	600	720	770	20XØ37	1215	630

RESILIENT SEATED GATE VALVE